

## 5.2 T828 PA PCB

This section contains the following information.

IPN	Section	Page
220-01197-02	Parts List	5.2.3
	Mechanical & Miscellaneous Parts	5.2.5
	Grid Reference Index	5.2.7
	PCB Layout - Bottom Side	5.2.9
	PCB Layout - Top Side	5.2.10
	RF Section Circuit Diagram	5.2.11
	Control Section Circuit Diagram	5.2.12



## T828 Parts List (IPN 220-01197-02)

### How To Use This Parts List

The components listed in this parts list are divided into two main types: those with a circuit reference (e.g. C2, D1, R121, etc) and those without (miscellaneous and mechanical).

Those with a circuit reference are grouped in alphabetical order and then in numerical order within each group. Each component entry comprises three or four columns: the circuit reference, variant (if applicable), IPN and description. A number in the variant column indicates that this is a variant component which is fitted only to the product type listed.

The miscellaneous and mechanical section lists the variant and common parts in IPN order.

### Parts List Amendments

There were no amendments to the parts list at the time of publication.

Ref	Var	IPN	Description	Ref	Var	IPN	Description
C76		015-24100-08	CAP CER 0805 CHIP 1N 10% X7R 50V	C240		015-03150-03	CAP CER CHIP 150P 5% NPO 300V HIQ GRH11
C77		015-24100-08	CAP CER 0805 CHIP 1N 10% X7R 50V	C241		015-02680-03	CAP CER CHIP 68P 5% NPO 500V HIQ GRH11
C78		015-24100-08	CAP CER 0805 CHIP 1N 10% X7R 50V	C242		010-04100-01	CAP CER 1N 10% T/C B 500V
C80		015-24100-08	CAP CER 0805 CHIP 1N 10% X7R 50V	C243		010-02390-00	CAP CER 39P 5% NPO 500V 7.5MM OD DD07
C81		015-24100-08	CAP CER 0805 CHIP 1N 10% X7R 50V	C244		010-02390-00	CAP CER 39P 5% NPO 500V 7.5MM OD DD07
C84		015-24100-08	CAP CER 0805 CHIP 1N 10% X7R 50V	C245		010-04100-01	CAP CER 1N 10% T/C B 500V
C85		015-24100-08	CAP CER 0805 CHIP 1N 10% X7R 50V	C250		010-02390-00	CAP CER 39P 5% NPO 500V 7.5MM OD DD07
C86		015-24100-08	CAP CER 0805 CHIP 1N 10% X7R 50V	C251		010-02560-00	CAP CER 56P 5% NPO 500V 8.0MM OD DD08
C87		015-24100-08	CAP CER 0805 CHIP 1N 10% X7R 50V	C252		010-02680-00	CAP CER 68P 5% NPO 500V 9.5MM OD DD09
C90		015-06100-08	CAP CER 1206 CHIP 100N 10% X7R 50V	C253		010-02680-00	CAP CER 68P 5% NPO 500V 9.5MM OD DD09
C91		025-08100-02	CAP TANT BEAD 10M 10% 16V	C254		015-03470-03	CAP CER CHIP 470P 5% NPO 200V HIQ GRH11
C92		015-25100-08	CAP CER 0805 CHIP 10N 10% X7R 50V	C255		017-15470-01	CAP CER SURFACE BARRIER 47N 20% 50V
C93		015-23150-01	CAP CER 0805 CHIP 150P 5% NPO 50V	C256		020-07470-04	CAP ELECT RADL 4M7 25V 20% 8X13MM SOLID
C95		015-06100-08	CAP CER 1206 CHIP 100N 10% X7R 50V	C257		017-15470-01	CAP CER SURFACE BARRIER 47N 20% 50V
C96		015-24100-08	CAP CER 0805 CHIP 1N 10% X7R 50V	C258		010-02560-00	CAP CER 56P 5% NPO 500V 8.0MM OD DD08
C99		015-24100-08	CAP CER 0805 CHIP 1N 10% X7R 50V	C259		015-03150-03	CAP CER CHIP 150P 5% NPO 300V HIQ GRH11
C100		015-24100-08	CAP CER 0805 CHIP 1N 10% X7R 50V	C260		015-03150-03	CAP CER CHIP 150P 5% NPO 300V HIQ GRH11
C101		015-24100-08	CAP CER 0805 CHIP 1N 10% X7R 50V	C261		015-02680-03	CAP CER CHIP 68P 5% NPO 500V HIQ GRH11
C103		015-25100-08	CAP CER 0805 CHIP 10N 10% X7R 50V	C262		010-04100-01	CAP CER 1N 10% T/C B 500V
C104		015-24100-08	CAP CER 0805 CHIP 1N 10% X7R 50V	C263		010-02390-00	CAP CER 39P 5% NPO 500V 7.5MM OD DD07
C105		015-24100-08	CAP CER 0805 CHIP 1N 10% X7R 50V	C264		010-04100-01	CAP CER 1N 10% T/C B 500V
C107		015-06100-08	CAP CER 1206 CHIP 100N 10% X7R 50V	C265		010-02390-00	CAP CER 39P 5% NPO 500V 7.5MM OD DD07
C108		015-23150-01	CAP CER 0805 CHIP 150P 5% NPO 50V	C269		010-02390-00	CAP CER 39P 5% NPO 500V 7.5MM OD DD07
C109		015-23150-01	CAP CER 0805 CHIP 150P 5% NPO 50V	C270		010-02820-00	CAP CER 82P 5% NPO 500V 9.5MM OD DD09
C111		015-24100-08	CAP CER 0805 CHIP 1N 10% X7R 50V	C271		015-23150-01	CAP CER 0805 CHIP 150P 5% NPO 50V
C112		015-24100-08	CAP CER 0805 CHIP 1N 10% X7R 50V	C271A		015-21680-01	CAP CER 0805 CHIP 6P8 +/-0.25P NPO 50V
C200		015-24470-08	CAP CER 0805 CHIP 4N7 10% X7R 50V	C272		015-23150-01	CAP CER 0805 CHIP 150P 5% NPO 50V
C201		015-22560-01	CAP CER 0805 CHIP 56P 5% NPO 50V	C273		015-23150-01	CAP CER 0805 CHIP 150P 5% NPO 50V
C202		020-07470-04	CAP ELECT RADL 4M7 25V 20% 8X13MM SOLID	C274		015-23150-01	CAP CER 0805 CHIP 150P 5% NPO 50V
C203		011-54100-01	CAP CER AI 1N 10% T/C B 63V	C275		015-02330-03	CAP CER CHIP 33P 5% NPO 500V HIQ GRH11
C204		011-54470-03	CAP CER AI 4N7 10% T/C B 50V	C276		015-02470-03	CAP CER CHIP 47P 5% NPO 500V HIQ GRH11
C205		015-23120-01	CAP CER 0805 CHIP 120P 5% NPO 50V	C277		015-02220-03	CAP CER CHIP 22P 5% NPO 500V HIQ GRH11
C206		015-22270-01	CAP CER 0805 CHIP 27P 5% NPO 50V	C278		015-02470-03	CAP CER CHIP 47P 5% NPO 500V HIQ GRH11
C207		015-24470-08	CAP CER 0805 CHIP 4N7 10% X7R 50V	C279		015-02220-03	CAP CER CHIP 22P 5% NPO 500V HIQ GRH11
C208		011-54100-01	CAP CER AI 1N 10% T/C B 63V	C280		015-02470-03	CAP CER CHIP 47P 5% NPO 500V HIQ GRH11
C209		011-52390-01	CAP CER AI 39P 5% N150 50/63V	C281		015-02330-03	CAP CER CHIP 33P 5% NPO 500V HIQ GRH11
C210		011-52390-01	CAP CER AI 39P 5% N150 50/63V	C282		015-22680-01	CAP CER 0805 CHIP 68P 5% NPO 50V
C211		011-53120-01	CAP CER AI 120P 5% N150 50/63V	C283		015-21680-01	CAP CER 0805 CHIP 6P8 +/-0.25P NPO 50V
C213		015-03470-03	CAP CER CHIP 470P 5% NPO 200V HIQ GRH11	C286		010-02680-00	CAP CER 68P 5% NPO 500V 9.5MM OD DD09
C214		011-54100-01	CAP CER AI 1N 10% T/C B 63V	C287		010-02680-00	CAP CER 68P 5% NPO 500V 9.5MM OD DD09
C215		011-54470-03	CAP CER AI 4N7 10% T/C B 50V	C288		015-03560-03	CAP CER CHIP 560P 5% NPO 100V HIQ GRH11
C216		010-02680-00	CAP CER 68P 5% NPO 500V 9.5MM OD DD09	C289		015-03560-03	CAP CER CHIP 560P 5% NPO 100V HIQ GRH11
C217		020-07470-04	CAP ELECT RADL 4M7 25V 20% 8X13MM SOLID	C290		015-03560-03	CAP CER CHIP 560P 5% NPO 100V HIQ GRH11
C218		010-03150-01	CAP CER 150P 5% NPO 500V	C291		015-03560-03	CAP CER CHIP 560P 5% NPO 100V HIQ GRH11
C219		010-02680-00	CAP CER 68P 5% NPO 500V 9.5MM OD DD09	C292		015-03560-03	CAP CER CHIP 560P 5% NPO 100V HIQ GRH11
C220		010-02390-00	CAP CER 39P 5% NPO 500V 7.5MM OD DD07	C300		015-24100-08	CAP CER 0805 CHIP 1N 10% X7R 50V
C220A		010-02390-00	CAP CER 39P 5% NPO 500V 7.5MM OD DD07	C301		015-24100-08	CAP CER 0805 CHIP 1N 10% X7R 50V
C221		011-54100-01	CAP CER AI 1N 10% T/C B 63V				
C223		010-03150-01	CAP CER 150P 5% NPO 500V	D3		001-00011-60	(S) DIODE SR2607 6A/30V
C229		010-02820-00	CAP CER 82P 5% NPO 500V 9.5MM OD DD09	D5		008-00013-32	(S) LED 3MM RED LO CURRENT NO MTG
C230		010-02390-00	CAP CER 39P 5% NPO 500V 7.5MM OD DD07	D6		001-10000-70	(S) DIODE SMD BA770 DUAL SWITCH SOT-23 CO
C231		010-02390-00	CAP CER 39P 5% NPO 500V 7.5MM OD DD07	D10		008-00013-35	(S) LED 3MM GREEN LO CURRENT NO MTG
C232		010-02560-00	CAP CER 56P 5% NPO 500V 8.0MM OD DD08	D11		008-00013-32	(S) LED 3MM RED LO CURRENT NO MTG
C234		010-02680-00	CAP CER 68P 5% NPO 500V 9.5MM OD DD09	D13		001-10000-70	(S) DIODE SMD BA770 DUAL SWITCH SOT-23 C
C235		010-02680-00	CAP CER 68P 5% NPO 500V 9.5MM OD DD09	D200		001-00013-45	(S) DIODE SCHOTTKY 1SS97/2
C236		015-03470-03	CAP CER CHIP 470P 5% NPO 200V HIQ GRH11	D201		001-00013-45	(S) DIODE SCHOTTKY 1SS97/2
C237		017-15470-01	CAP CER SURFACE BARRIER 47N 20% 50V				
C238		010-02560-00	CAP CER 56P 5% NPO 500V 8.0MM OD DD08	IC1		002-10003-24	(S) IC SMD 324 QUAD OP AMP SO14
C239		015-03150-03	CAP CER CHIP 150P 5% NPO 300V HIQ GRH11	IC2		002-00014-62	(S) IC 317L 100MA REG 3 TERMINAL TO-92

Ref	Var	IPN	Description	Ref	Var	IPN	Description
IC3		002-10003-58	(S) IC SMD LM358 DUAL OP AMP	R89		036-13100-00	RES M/F 0805 CHIP 100E 5%
L11		065-00010-04	BEAD FERRITE F8 4X2X5MM	R90		036-15100-00	RES M/F 0805 CHIP 10K 5%
L200		052-08135-55	COIL A/W 5.5T/3.5MM HOR 0.8MM WIRE	R92		036-14100-00	RES M/F 0805 CHIP 1K 5%
L201		052-08135-25	COIL A/W 2.5T/3.5MM HOR 0.8MM WIRE	R93		036-14560-00	RES M/F 0805 CHIP 5K6 5%
L202		065-00010-08	BEAD FERRITE 4S3 3*0.7*10MM RED	R94		036-14100-00	RES M/F 0805 CHIP 1K 5%
L203		052-08145-45	COIL A/W 4.5T/4.5MM HOR 0.8MM WIRE	R95		036-14100-00	RES M/F 0805 CHIP 1K 5%
L204		065-00010-01	BEAD FERRITE 3B 6 HOLE	R96		036-14100-00	RES M/F 0805 CHIP 1K 5%
L205		052-08140-35	COIL A/W 3.5T/4.0MM HOR 0.8MM WIRE	R97		036-14100-00	RES M/F 0805 CHIP 1K 5%
L206		052-08160-35	COIL A/W 3.5T/6.0MM HOR 0.8MM WIRE	R98		036-12100-00	RES M/F 0805 CHIP 10E 5%
L207		052-08130-45	COIL A/W 4.5T/3.0MM HOR 0.8MM WIRE	R99		036-14270-00	RES M/F 0805 CHIP 2K7 5%
L209		065-00010-01	BEAD FERRITE 3B 6 HOLE	R100		036-14470-00	RES M/F 0805 CHIP 4K7 5%
L210		052-08130-35	COIL A/W 3.5T/3.0MM HOR 0.8MM WIRE	R200		030-02120-20	RES FILM 12E 5% 0.4W 4X1.6MM
L211		065-00010-11	BEAD FERRITE 4S3 3*1*4MM RED	R201		030-02120-20	RES FILM 12E 5% 0.4W 4X1.6MM
L212		052-08130-15	COIL A/W 1.5T/3.0MM HOR 0.8MM WIRE	R202		030-53820-20	RES FILM AI 820E 5% 0.4W 4X1.6MM
L213		052-08140-35	COIL A/W 4.5T/4.0MM HOR 0.8MM WIRE	R203		030-53820-20	RES FILM AI 820E 5% 0.4W 4X1.6MM
L213A		052-08145-55	COIL A/W 5.5T/4.5MM HOR 0.8MM WIRE	R204		030-03270-10	RES FILM 270E 5% 0.5W 7X2.5MM
L219		052-08131-05	COIL A/W 10.5T/3.0MM HOR 0.8MM WIRE	R205		032-33180-00	RES M/F PWR 180E 5% 1W 12X4.5MM
L220		052-08140-65	COIL A/W 6.5T/4.0MM HOR 0.8MM WIRE	R206		030-52100-20	RES FILM AI 10E 5% 0.4W 4X1.6MM
L221		052-08140-65	COIL A/W 6.5T/4.0MM HOR 0.8MM WIRE	R207		032-33180-01	RES M/F PWR 180E 5% 2.5W 17X5MM
L222		052-08145-45	COIL A/W 4.5T/4.5MM HOR 0.8MM WIRE	R208		032-33180-01	RES M/F PWR 180E 5% 2.5W 17X5MM
L223		052-08140-15	COIL A/W 1.5T/4.0MM HOR 0.8MM WIRE	R209		032-32220-00	RES M/F PWR 180E 5% 1W 12X4.5MM
L224		065-00010-01	BEAD FERRITE 3B 6 HOLE	R210		032-33180-01	RES M/F PWR 180E 5% 2.5W 17X5MM
L225		065-00010-11	BEAD FERRITE 4S3 3*1*4MM RED	R211		032-33180-01	RES M/F PWR 180E 5% 2.5W 17X5MM
L226		052-08140-45	COIL A/W 4.5T/4.0MM HOR 0.8MM WIRE	R212		032-32100-00	RES M/F PWR 10E 5% 1W 10X4MM
L229		052-08335-10	COIL A/W 1T/3.5MM SMD 0.8MM WIRE	R213		030-01100-00	RES FILM 1E 5% 0.25W 7X2.5MM
L230		052-08125-15	COIL A/W 1.5T/2.5MM HOR 0.8MM WIRE	R214		030-52180-20	RES FILM AI 18E 5% 0.4W 4X1.6MM
L240		052-08145-45	COIL A/W 4.5T/4.5MM HOR 0.8MM WIRE	R215		030-52180-20	RES FILM AI 18E 5% 0.4W 4X1.6MM
L241		052-08140-15	COIL A/W 1.5T/4.0MM HOR 0.8MM WIRE	R216		030-52180-20	RES FILM AI 18E 5% 0.4W 4X1.6MM
L242		065-00010-01	BEAD FERRITE 3B 6 HOLE	R217		030-01100-10	RES FILM 1E 5% 0.5W 7X2.5MM
L243		065-00010-11	BEAD FERRITE 4S3 3*1*4MM RED	R218		030-01100-10	RES FILM 1E 5% 0.5W 7X2.5MM
L244		052-08140-45	COIL A/W 4.5T/4.0MM HOR 0.8MM WIRE	R219		030-01100-10	RES FILM 1E 5% 0.5W 7X2.5MM
L245		052-08335-10	COIL A/W 1T/3.5MM SMD 0.8MM WIRE	R219A		030-01100-10	RES FILM 1E 5% 0.5W 7X2.5MM
L246		052-08125-15	COIL A/W 1.5T/2.5MM HOR 0.8MM WIRE	R220		032-33100-02	RES M/F PWR 100E 5% 6W 33X9MM
L249		052-08131-15	COIL A/W 11.5T/3.0MM HOR 0.8MM WIRE	R221		032-33180-01	RES M/F PWR 180E 5% 2.5W 17X5MM
L250		052-08140-65	COIL A/W 6.5T/4.0MM HOR 0.8MM WIRE	R222		032-32220-00	RES M/F PWR 22E 5% 1W 12X4.5MM
L251		052-08140-65	COIL A/W 6.5T/4.0MM HOR 0.8MM WIRE	R223		032-33180-01	RES M/F PWR 180E 5% 2.5W 17X5MM
L254		052-08135-85	COIL A/W 8.5T/3.5MM HOR 0.8MM WIRE	R224		032-33180-01	RES M/F PWR 180E 5% 2.5W 17X5MM
L255		052-08155-45	COIL A/W 4.5T/5.5MM HOR 0.8MM WIRE	R225		032-32220-00	RES M/F PWR 22E 5% 1W 12X4.5MM
L256		052-08140-25	COIL A/W 2.5T/4.0MM HOR 0.8MM WIRE	R226		032-33180-01	RES M/F PWR 180E 5% 2.5W 17X5MM
L257		052-08155-45	COIL A/W 4.5T/5.5MM HOR 0.8MM WIRE	R227		032-32100-00	RES M/F PWR 10E 5% 1W 10X4MM
L258		052-08135-85	COIL A/W 8.5T/3.5MM HOR 0.8MM WIRE	R228		032-32100-00	RES M/F PWR 10E 5% 1W 10X4MM
L259		052-08130-45	COIL A/W 4.5T/3.0MM HOR 0.8MM WIRE	R230		039-02500-01	RES DUMP LOAD 50E 1% 10W TO-220 NIKKOHM
L260		056-00021-52	IND FXD 820NH 10% NON MAGNETIC	R231		039-02500-01	RES DUMP LOAD 50E 1% 10W TO-220 NIKKOHM
L260A		056-00021-60	IND FXD 330NH 6.6X2.7MM AXIAL NON MAGN	R232		036-13100-00	RES M/F 0805 CHIP 100E 5%
L261		052-08130-45	COIL A/W 4.5T/3.0MM HOR 0.8MM WIRE	R233		036-13100-00	RES M/F 0805 CHIP 100E 5%
L300		056-00021-00	IND FXD 3.3UH AXIAL	R250		032-32100-00	RES M/F PWR 10E 5% 1W 10X4MM
Q1		000-00021-65	(S) XSTR SD1012-9 NPN STUD MTG VHF PWR	R260		036-13270-00	RES M/F 0805 CHIP 270E 5%
Q2		000-00030-74	(S) XSTR MRF234 STUD MTG RF PWR 25W 90MH	R290		036-14100-00	RES M/F 0805 CHIP 1K 5%
Q3		000-00022-66	(S) XSTR SD1019-18 VHF PWR 40W STUD MTD	R291		036-15470-00	RES M/F 0805 CHIP 47K 5%
Q4		000-00022-66	(S) XSTR SD1019-18 VHF PWR 40W STUD MTD	R292		036-14100-00	RES M/F 0805 CHIP 1K 5%
Q10		000-00020-70	(S) XSTR BS170 JFET TO-92 SMALL SIG	R293		036-14100-00	RES M/F 0805 CHIP 1K 5%
Q11		000-10008-17	(S) XSTR SMD BC817-25 NPN SOT-23 AF LO P	R294		036-15470-00	RES M/F 0805 CHIP 47K 5%
Q12		000-00020-70	(S) XSTR BS170 JFET TO-92 SMALL SIG	R295		036-14100-00	RES M/F 0805 CHIP 1K 5%
Q13		000-10008-17	(S) XSTR SMD BC817-25 NPN SOT-23 AF LO P	R300		045-04470-01	RES NTC 4K7 5% 5MM DISC
Q14		000-10008-48	(S) XSTR SMD BCW60/BC848B215 NPN SOT23 A	SK1		240-02100-44	SKT COAX MINI JACK PCB MTG ANGLED
Q15		000-10008-17	(S) XSTR SMD BC817-25 NPN SOT-23 AF LO P				
Q16		000-00030-95	(S) XSTR 2N6107 PNP TO-220 AF PWR				
R36		036-13680-00	RES M/F 0805 CHIP 680E 5%				
R38		036-17100-00	RES M/F 0805 CHIP 1M 5%				
R39		036-16100-00	RES M/F 0805 CHIP 100K 5%				
R42		036-15100-00	RES M/F 0805 CHIP 10K 5%				
RV43		042-05470-09	RES PRESET 50K CERMET 9.5MM SQ FLAT				
R44		036-14470-00	RES M/F 0805 CHIP 4K7 5%				
R47		036-15270-00	RES M/F 0805 CHIP 27K 5%				
RV48		042-04500-08	RES PRESET 5K CERMET 9.5MM SQ FLAT				
R49		036-13680-00	RES M/F 0805 CHIP 680E 5%				
R50		036-13680-00	RES M/F 0805 CHIP 680E 5%				
RV52		042-04500-08	RES PRESET 5K CERMET 9.5MM SQ FLAT				
R55		036-17100-00	RES M/F 0805 CHIP 1M 5%				
R56		036-15100-00	RES M/F 0805 CHIP 10K 5%				
RV57		042-05470-09	RES PRESET 50K CERMET 9.5MM SQ FLAT				
R58		036-14470-00	RES M/F 0805 CHIP 4K7 5%				
R61		036-13220-00	RES M/F 0805 CHIP 220E 5%				
R62		036-14100-00	RES M/F 0805 CHIP 1K 5%				
RV63		044-04200-03	RES PRESET MULTITURN 2K 10T PNL MTG				
R64		036-14470-00	RES M/F 0805 CHIP 4K7 5%				
R67		036-15100-00	RES M/F 0805 CHIP 10K 5%				
R68		036-14470-00	RES M/F 0805 CHIP 4K7 5%				
RV69		042-04220-02	RES PRESET 2K CERMET 9.5MM SQ FLAT TOP				
R73		036-16220-00	RES M/F 0805 CHIP 220K 5%				
RV74		042-05470-09	RES PRESET 50K CERMET 9.5MM SQ FLAT				
R74		036-14470-00	RES M/F 0805 CHIP 4K7 5%				
R75		036-14470-00	RES M/F 0805 CHIP 4K7 5%				
R76		036-14220-00	RES M/F 0805 CHIP 2K2 5%				
R77		036-14220-00	RES M/F 0805 CHIP 2K2 5%				
R78		036-14270-00	RES M/F 0805 CHIP 2K7 5%				
R79		036-13220-00	RES M/F 0805 CHIP 220E 5%				
R80		036-13100-00	RES M/F 0805 CHIP 100E 5%				
R81		036-14100-00	RES M/F 0805 CHIP 1K 5%				
R82		036-14470-00	RES M/F 0805 CHIP 4K7 5%				
R83		036-14100-00	RES M/F 0805 CHIP 1K 5%				
R84		036-14470-00	RES M/F 0805 CHIP 4K7 5%				
R85		036-14100-00	RES M/F 0805 CHIP 1K 5%				
R86		036-14100-00	RES M/F 0805 CHIP 1K 5%				
R87		036-12100-00	RES M/F 0805 CHIP 10E 5%				

## T828 Mechanical & Miscellaneous Parts (220-01197-02)

IPN	Description	IPN	Description
012-04150-01	CAP CER F/THRU 1N5 NO LEAD (C1-C15 D-range)	319-01148-00	SHIELD A3M2225 LID T859 PA
051-00006-02	SOLDER SPRING 1.3MM A4M1877	319-01152-00	SHIELD A3M2250 F/THRU MTG T857
065-00010-13	BEAD FERRITE 7D 1.9*0.9*3.8MM STACK POLE	345-00040-06	SCREW M3*8MM PAN POZI ST BZ
065-00010-20	BEAD FERRITE BALUN 4B1 PHILIPS	345-00040-09	SCREW M3*6MM CSK POZI TRUNCATED HEAD ST BZ
201-00030-01	WIRE #1 T/C WIRE 7/0.2MM PVC BROWN 1x 410mm	345-00040-16	SCREW M3X20MM PAN POZI ST BZ Connect D-range to chassis
201-00030-02	WIRE #1 T/C WIRE 7/0.2MM PVC RED 3x 20mm	345-00040-20	SCREW M3*8MM BUTTON SKT HD BLACK ZINC PHOS
201-00030-03	WIRE #1 T/C WIRE 7/0.2MM PVC ORANGE 1x 235mm	349-00020-07	(L) SCREW 4-40 X 5/16 PAN POZI TAPTITE BLACK PCB mtg x8, 18x top cover, 2x cover hole, 1 each for Q16, R230 & R231
201-00030-04	WIRE #1 T/C WIRE 7/0.2MM PVC YELLOW 1x 325mm	352-00010-29	NUT M4 NYLOC HEX
201-00030-05	WIRE #1 T/C WIRE 7/0.2MM PVC GREEN 1x 265mm	352-00010-35	NUT 8-32 UNC HEX RF PWR XSTR MTG Nut mount for Q1 & Q2
201-00030-06	WIRE #1 T/C WIRE 7/0.2MM PVC BLUE 1x 410mm	352-00010-36	NUT 10-32 UNF LARGE STUD PWR XSTR Nut mount for Q3 & Q4
201-00030-07	WIRE #1 T/C WIRE 7/0.2MM PVC VIOLET 1x 410mm	353-00010-10	WASHER M3 FLAT 7MM*0.6MM ST BZ For Q16
201-00030-09	WIRE #1 T/C WIRE 7/0.2MM PVC WHITE 1x 285mm	356-00010-03	TAG SOLDER 3MM LONG M614/3.2
201-00030-10	WIRE #1 T/C WIRE 7/0.2MM PVC BLACK 1x 310mm, 3x 25mm-FOR LEDS	360-00010-41	BUSH SHORTY BLACK HEYCO B-187-125
201-00050-12	CABLE AUTO 152 RED 28/0.3MM PVC 1x 290mm, 1x 220mm	362-00010-07	GASKET SIL INSULATING TO-220 For Q16
201-00050-20	CABLE AUTO 152 BLACK 28/0.3MM PVC 1x 40mm	362-00010-13	BUSH INSULATING 1.1MM TOP HAT For Q16
206-00010-11	CABLE COAX 50 OHM RG316-U PTFE 2x 790mm (90 deg phase section)	362-00010-33	GROMMET LED MTG 3MM LO CURRENT LEDS
220-01197-02	PCB T828 PA	365-00011-53	LABEL WHITE RW2365/1 104*37MM SPECIAL ADHSV
240-00010-55	PLUG 15 WAY D RANGE WIRE WRAP PINS PNL MTG	365-00100-20	LABEL WHITE S/A 28X11MM QUIKSTIK RW718/4
240-00100-43	PLUG COAX MINI PIN PLUG CRIMP 1.5D COAX	365-01391-01	(L)LABEL BLNK 30*10.8MM TAMPERMARK VOID MATT
240-00100-46	PLUG COAX PNL JACK SUHNER 24 SMC50-2-10C	369-00010-14	TIE CABLE NYLON 100*2.6MM
240-02010-54	SKT 15WAY DRANGE PNL MTG 125 DEG C	399-00010-56	BAG PLASTIC 200*250MM
240-02100-06	SKT COAX N TYPE PNL MTG OPEN TERMN	400-00020-07	SLEEVING 2MM SIL RUBBER
240-06010-14	CLAMP LATCHING 15 WAY D RANGE	400-00020-69	HEATSHRINK 12.7MM
240-06010-15	BLOCK LATCHING 15WAY D RANGE Connect screws to D-range	410-01081-00	CRTN T800 MODULE KIWI REF22860 PRTD 402X192X
303-23117-00	COVER COMPL A2M2223/2 A2M2223/1 SIDE T858/85	410-01082-00	CRTN 10 T800 KIWI REF24417 423X410X360
303-50005-00	CONTACT A4M2311 SPRING EARTH T858		
306-01010-00	FERRULE A4M948 HANDLE FXD EQUIP		
308-01007-00	HANDLE A4M949 FXD EQUIP		
308-13068-01	HSINK DIECAST T377 PA		
316-06402-00	PNL FRT COMPL A3M2219/3 T828		
316-85018-00	PIN A4M1397 COAX CONDUCTOR T316 346 377PA 34 Solder pin to N type skt securely		
318-01011-00	RAIL A2M1872 BOTTOM T377 PA		
318-01012-00	RAIL A3M1873 TOP T377 PA		
319-01147-00	SHIELD A3M2224 WALL T859 PA		



## T828 Grid Reference Index (IPN 220-01197-02)

### How To Use This Grid Reference Index

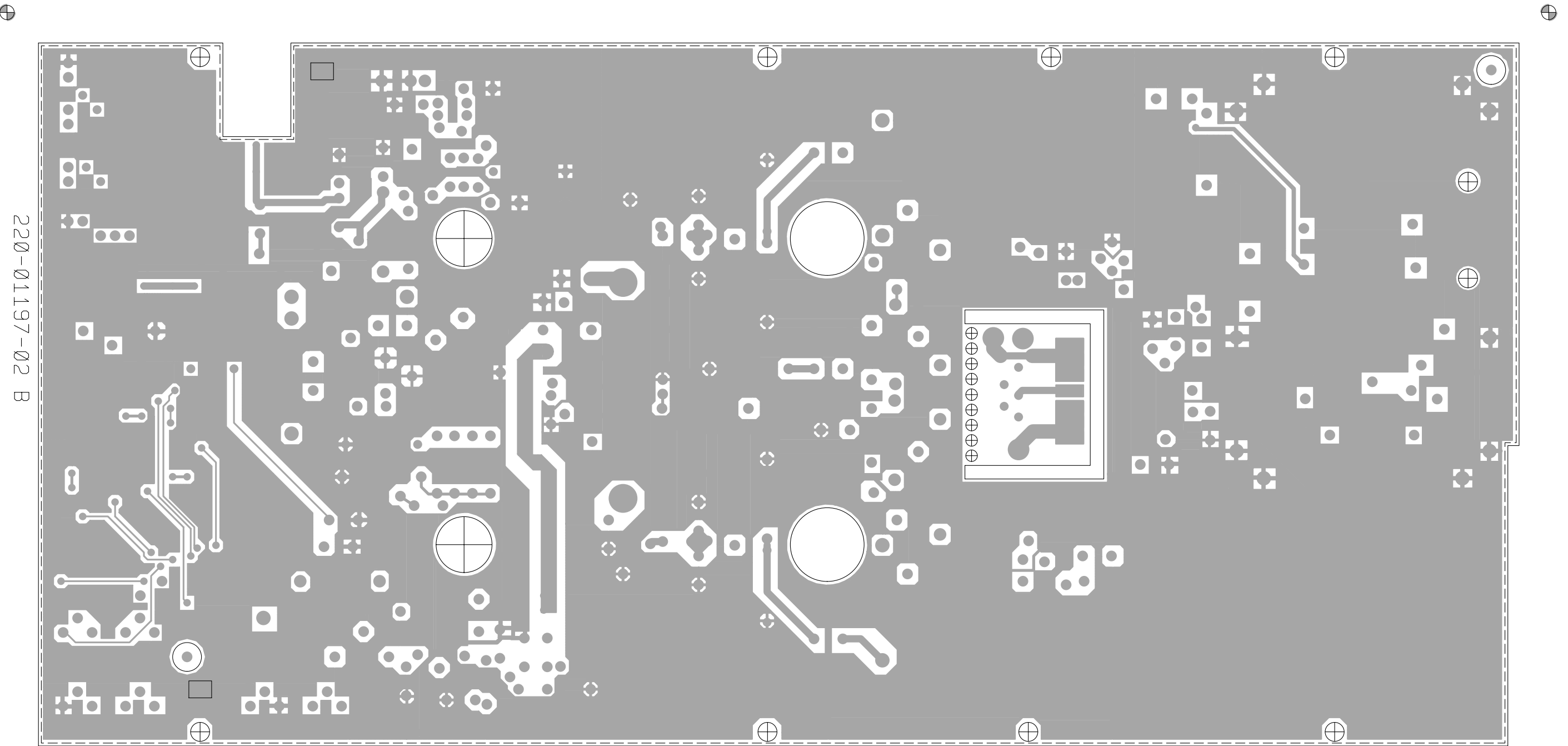
The first digit in the PCB layout reference is a "1" or "2", indicating the top or bottom side layout respectively, and the last two characters give the location of the component on that diagram.

The first digit in the circuit diagram reference is the sheet number, and the last two characters give the location of the component on that sheet.

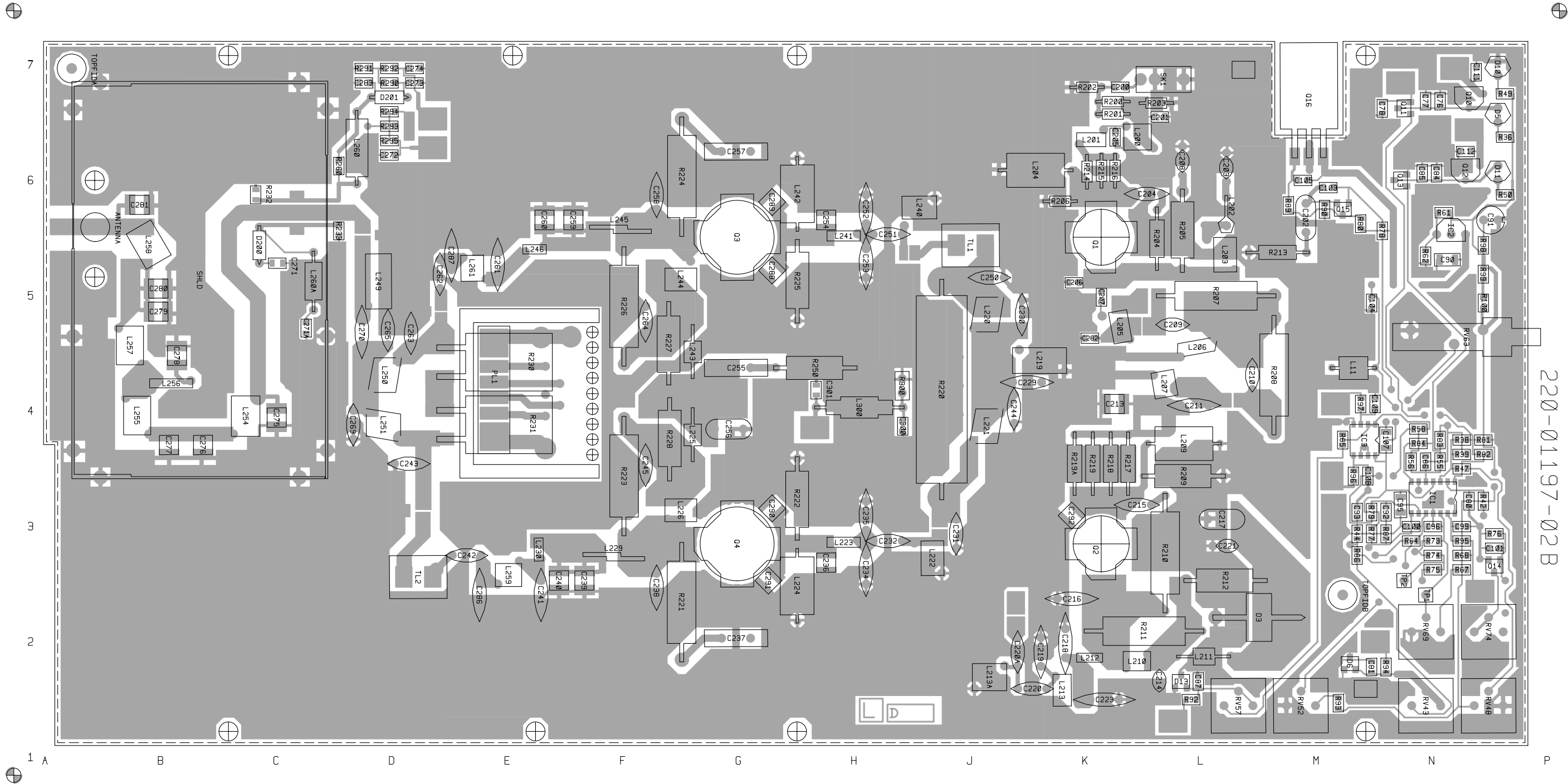
Device	PCB	Circuit	Device	PCB	Circuit	Device	PCB	Circuit	Device	PCB	Circuit
C76	1:N7	2-B6	C240	1:E3	1-G1			2-E4	Q12	1:N6	2-C4
C77	1:N7	2-C6	C241	1:E3	1-H1			2-N4	Q13	1:N6	2-D4
C78	1:N7	2-D5	C242	1:E3	1-H2			2-N1	Q14	1:P3	2-P1
C80	1:N3	2-F6	C243	1:D4	1-J1	IC2	1:N6	2-K4	Q15	1:M6	2-Q4
C81	1:N2	2-G5	C244	1:J4	1-A2	IC3	1:M4	2-J7	Q16	1:M7	2-R4
C84	1:N6	2-C4	C245	1:F4	1-F2			2-H6	R36	1:P6	2-C5
C85	1:N6	2-C4	C250	1:J5	1-B3			2-H3	R38	1:N4	2-E6
C86	1:N4	2-E3	C251	1:H6	1-C3	L11	1:N4	1-N9	R39	1:N4	2-E5
C87	1:L2	2-G3	C252	1:H6	1-D3	L200	1:K7	1-C7	R42	1:N3	2-G6
C90	1:N5	2-K4	C253	1:H5	1-D3	L201	1:K6	1-C7	RV43	1:N1	2-G6
C91	1:P6	2-N4	C254	1:H6	1-E3	L202	1:L6	1-D9	R44	1:M3	2-H6
C92	1:N3	2-P5	C255	1:G4	1-E4	L203	1:L5	1-D9	R47	1:N4	2-F5
C93	1:M3	2-N5	C256	1:G4	1-F4	L204	1:J6	1-D7	RV48	1:P1	2-F5
C95	1:N3	2-H0	C257	1:G6	1-F3	L205	1:K5	1-E8	R49	1:P7	2-C5
C96	1:N3	2-N2	C258	1:F6	1-G3	L206	1:L5	1-G7	R50	1:P6	2-D5
C99	1:N3	2-M0	C259	1:F6	1-G3	L207	1:L4	1-J7	RV52	1:M1	2-F5
C100	1:N3	2-N4	C260	1:E6	1-H3	L209	1:L4	1-L7	R55	1:N4	2-E3
C101	1:P3	2-P1	C261	1:E5	1-H3	L210	1:K2	1-L8	R56	1:N4	2-F4
C103	1:M6	2-Q4	C262	1:D5	1-J4	L211	1:L2	1-L9	RV57	1:L1	2-F3
C104	1:N5	2-R5	C263	1:D5	1-J3	L212	1:K2	1-M8	R58	1:N4	2-H5
C105	1:M6	2-R5	C264	1:F5	1-G4	L213	1:K2	1-N8	R61	1:N6	2-L4
C107	1:N4	2-H7	C265	1:D5	1-L2	L213A	1:J2	1-P7	R62	1:N5	2-L4
C108	1:M3	2-J6	C269	1:D4	1-L2	L219	1:K4	1-A2	RV63	1:N5	2-M4
C109	1:N4	2-J4	C270	1:D5	1-L3	L220	1:J5	1-B3	R64	1:N3	2-N4
C111	1:N7	2-A7	C271	1:C5	1-N3	L221	1:J4	1-B2	R67	1:N3	2-M2
C112	1:N6	2-B4	C271A	1:C5	1-M3	L222	1:J3	1-C1	R68	1:N3	2-L2
C200	1:K7	1-B7	C272	1:D6	1-P3	L223	1:H3	1-D1	RV69	1:N2	2-M2
C201	1:L7	1-B7	C273	1:D7	1-M1	L224	1:H2	1-F1	R73	1:N3	2-N2
C202	1:M6	1-C9	C274	1:D7	1-N1	L225	1:G4	1-F2	R74	1:N3	2-N1
C203	1:L6	1-D9	C275	1:C4	1-N2	L226	1:F3	1-F2	RV74	1:P2	2-P2
C204	1:L6	1-D8	C276	1:B4	1-P2	L229	1:F3	1-G2	R75	1:N3	2-P1
C205	1:K6	1-C7	C277	1:B4	1-P2	L230	1:E3	1-H2	R76	1:P3	2-P1
C206	1:K5	1-E7	C278	1:B5	1-P2	L240	1:J6	1-C3	R77	1:N3	2-P5
C207	1:K5	1-E8	C279	1:B5	1-Q2	L241	1:H6	1-D3	R78	1:N6	2-Q4
C208	1:L6	1-E9	C280	1:B5	1-Q2	L242	1:H6	1-F3	R79	1:N3	2-N5
C209	1:L5	1-G8	C281	1:B6	1-R2	L243	1:G4	1-F4	R80	1:M6	2-Q5
C210	1:L4	1-G8	C282	1:K5	1-E7	L244	1:F5	1-F4	R81	1:N4	2-D6
C211	1:L4	1-J8	C283	1:D7	1-M2	L245	1:F6	1-G4	R82	1:N4	2-D6
C213	1:K4	1-J7	C286	1:E3	1-H1	L246	1:E5	1-H4	R83	1:N4	2-D3
C214	1:L2	1-L9	C287	1:E5	1-H3	L249	1:D5	1-L2	R84	1:N4	2-D4
C215	1:L3	1-L8	C288	1:G5	1-E3	L250	1:D4	1-K3	R85	1:M4	2-F3
C216	1:K2	1-M7	C289	1:G6	1-F3	L251	1:D4	1-K2	R86	1:M3	2-G6
C217	1:L3	1-M8	C290	1:G3	1-E1	L254	1:C4	1-N3	R87	1:N3	2-P5
C218	1:K2	1-M7	C291	1:G3	1-F1	L255	1:B4	1-P3	R89	1:M6	2-R4
C219	1:K2	1-N7	C292	1:K3	1-L7	L256	1:B4	1-P2	R90	1:M6	2-Q3
C220	1:K2	1-N8	C300	1:H4	1-C2	L257	1:B5	1-Q3	R92	1:L2	2-D3
C220A	1:J2	1-P8	C301	1:H4	1-D2	L258	1:B6	1-R3	R93	1:M2	2-F5
C221	1:L3	1-M8	D3	1:M2	2-A1	L259	1:E3	1-H2	R94	1:N2	2-F7
C223	1:K2	1-M7	D5	1:P7	2-C6	L260	1:D6	1-M2	R95	1:N3	2-M1
C229	1:K4	1-A2	D6	1:M2	2-G5	L260A	1:C5	1-N3	R96	1:M3	2-K7
C230	1:J5	1-A2			2-G5	L261	1:E5	1-H4	R97	1:M4	2-K4
C231	1:J3	1-B1	D10	1:P7	2-C4	L300	1:H4	1-C2	R98	1:N5	2-M5
C232	1:H3	1-C1	D11	1:P6	2-D4	PL1	1:E5	2-B0	R99	1:N5	2-M4
C234	1:H3	1-D1	D13	1:L2	2-F2	Q1	1:K6	1-D7	R100	1:N5	2-M4
C235	1:H3	1-D1			2-F2	Q2	1:K3	1-L8	R200	1:K7	1-B7
C236	1:H3	1-E1	D200	1:C5	1-N3	Q3	1:G6	1-F3	R201	1:K7	1-B7
C237	1:G2	1-F2	D201	1:D7	1-M2	Q4	1:G3	1-F1	R202	1:K7	1-B7
C238	1:F3	1-G1	IC1	1:N3	2-H0	Q10	1:N7	2-B7	R203	1:L7	1-B7
C239	1:F3	1-G1			2-F7	Q11	1:N7	2-D6	R204	1:L6	1-D8

<u>Device</u>	<u>PCB</u>	<u>Circuit</u>	<u>Device</u>	<u>PCB</u>	<u>Circuit</u>	<u>Device</u>	<u>PCB</u>	<u>Circuit</u>	<u>Device</u>	<u>PCB</u>	<u>Circuit</u>
R205	1:L6	1-D9									
R206	1:K6	1-D7									
R207	1:L5	1-G7									
R208	1:M5	1-G7									
R209	1:L3	1-L7									
R210	1:L3	1-L8									
R211	1:L2	1-L8									
R212	1:L3	1-L9									
R213	1:L5	1-C8									
R214	1:K6	1-D8									
R215	1:K6	1-D7									
R216	1:K6	1-D7									
R217	1:K4	1-K8									
R218	1:K4	1-K8									
R219	1:K4	1-K8									
R219A	1:K4	1-K7									
R220	1:J5	1-B2									
R221	1:G2	1-F2									
R222	1:H3	1-F1									
R223	1:F4	1-G2									
R224	1:G7	1-F4									
R225	1:H6	1-F3									
R226	1:F5	1-G4									
R227	1:F4	1-G4									
R228	1:F4	1-G2									
R230	1:E4	1-K3									
R231	1:E4	1-K2									
R232	1:C6	1-N2									
R233	1:D6	1-M3									
R250	1:G4	1-E4									
R260	1:D6	1-M2									
R290	1:D7	1-M2									
R291	1:D7	1-N1									
R292	1:D7	1-N2									
R293	1:D7	1-N4									
R294	1:D7	1-P3									
R295	1:D6	1-P4									
R300	1:H4	1-C2									
SK1	1:L7	1-A7									
TL1	1:J5	1-C3									
TL2	1:D3	1-J2									
TP1	1:N2	2-N2									
TP2	1:N3	2-P1									

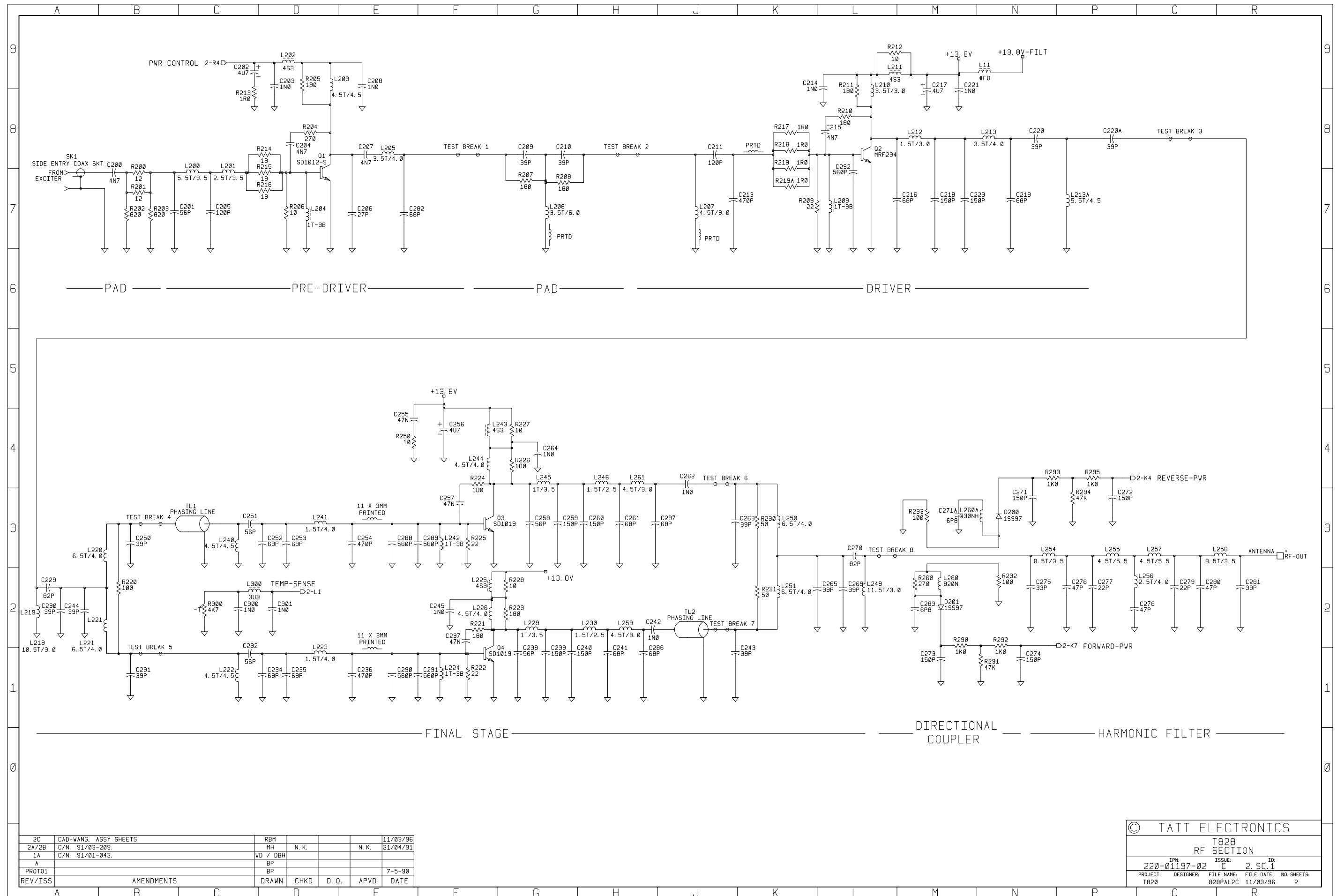




T828 PCB Layout  
Bottom Side  
220-01197-02

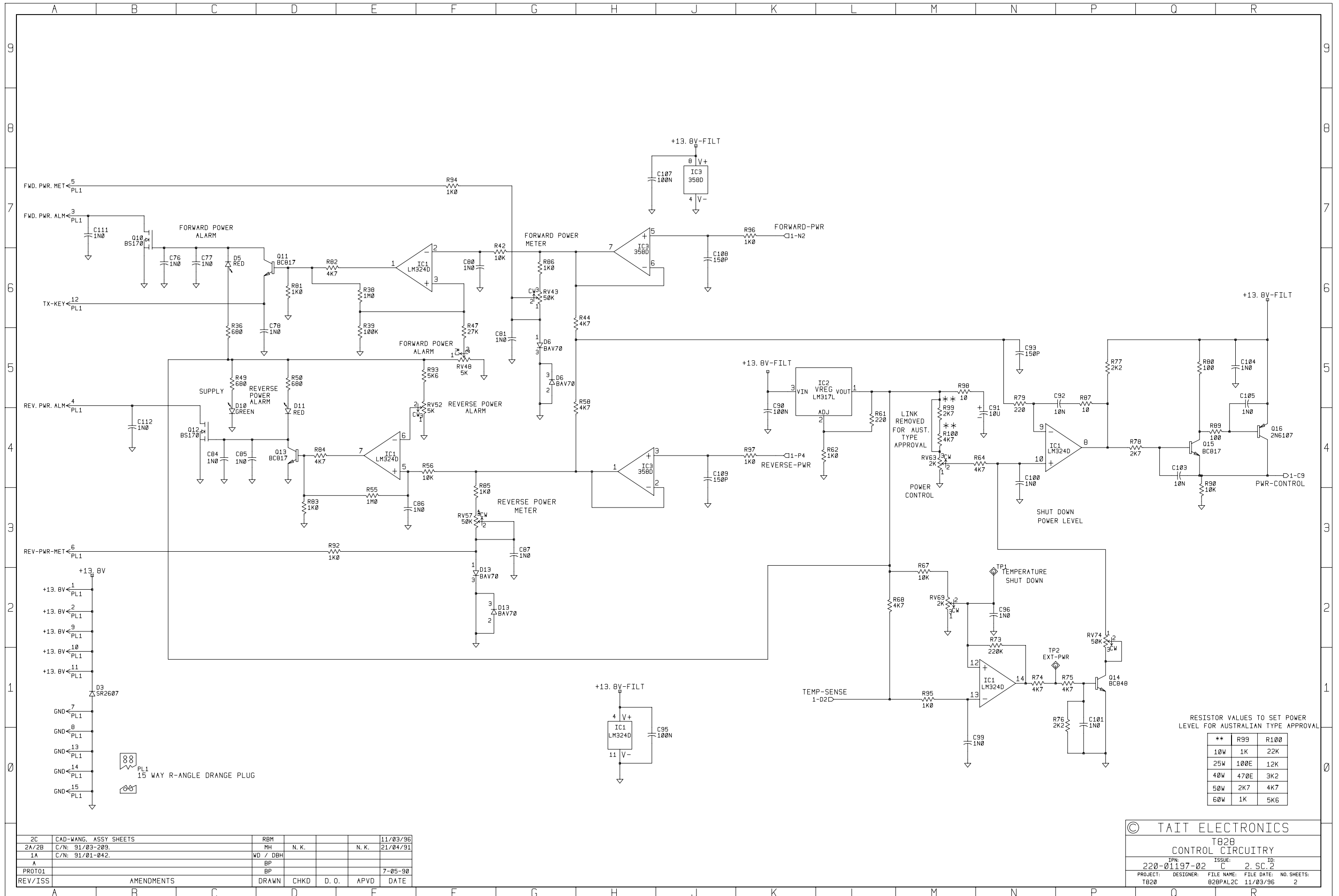


T828 PCB Layout  
Top Side  
220-01197-02



2C	CAD-WANG. ASSY SHEETS	RBM			11/03/96
2A/2B	C/N: 91/03-209.	MH	N. K.	N. K.	21/04/91
1A	C/N: 91/01-042.	WD / DBH			
A		BP			
PROTO1		BP			7-5-90
REV/ISS	AMENDMENTS	DRAWN	CHKD	D. O.	APVD DATE

© TAIT ELECTRONICS					
T828					
RF SECTION					
IPN:	220-01197-02	ISSUE:	C	2	SC. 1
PROJECT:	T828	DESIGNER:	FILE NAME:	FILE DATE:	NO. SHEETS:
			B28PAL2C	11/03/96	2



2C	CAD-WANG. ASSY SHEETS	RBM			11/03/96
2A/2B	C/N: 91/03-209.	MH	N. K.		21/04/91
1A	C/N: 91/01-042.	WD / DBH			
A		BP			
PROT01		BP			7-05-90
REV/ISS	AMENDMENTS	DRAWN	CHKD	D. O.	APVD

© TAIT ELECTRONICS

T828 CONTROL CIRCUITRY

IPN: 220-01197-02 ISSUE: C 2 SC.2

PROJECT: T828 DESIGNER: 828PAL2C FILE NAME: 11/03/96 NO. SHEETS: 2